

TRES



CUADRO

1.07.250
6.07.250
4.07.250
1.07.251
6.07.251
4.07.251



MAX

1.61.250
1.61.250.60
1.61.250.90
1.61.251
1.61.251.60
1.61.251.90



CUADRO

1.07.252
6.07.252
4.07.252
1.07.253
6.07.253
4.07.253



MAX

1.61.252
1.61.252.60
1.61.252.90
1.61.253
1.61.253.60
1.61.253.90



CUB

1.87.250
1.87.250.60
1.87.251
1.87.251.60



BIMAX

1.63.250
1.63.251



CUB

1.87.252
1.87.252.60
1.87.253
1.87.253.60



BIMAX

1.63.252
1.63.253



LOFT

200.250.01
200.250.02



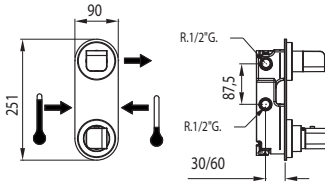
LEX

1.81.251

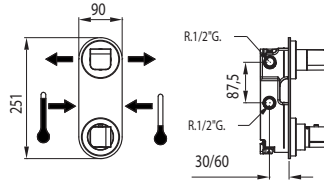


LOFT

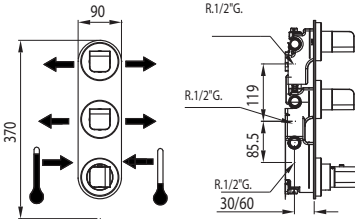
200.250.03
200.250.04



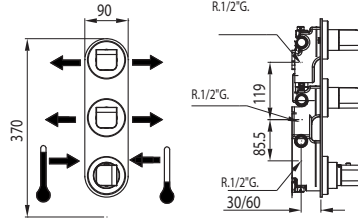
MOD: .250
MOD: 200.250.01



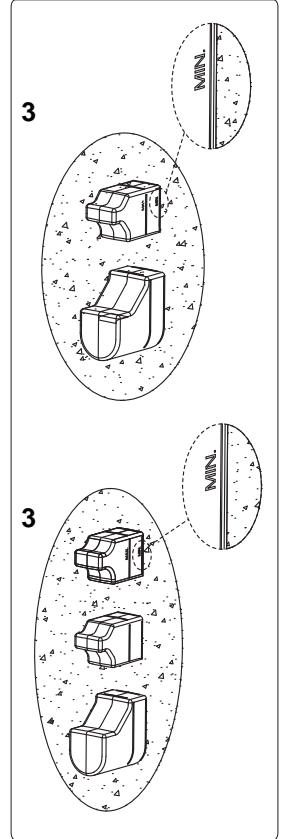
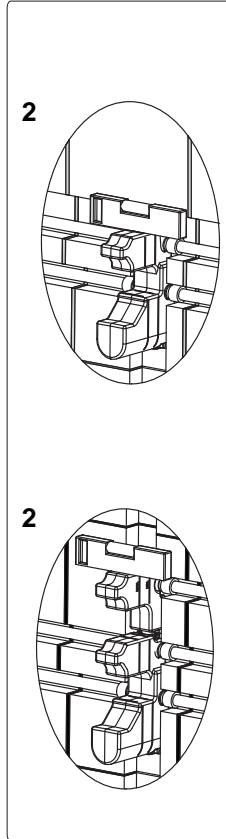
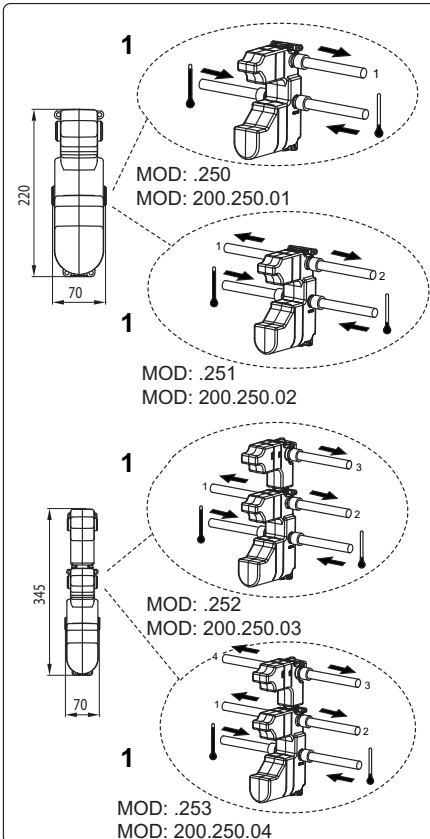
MOD: .251
MOD: 200.250.02

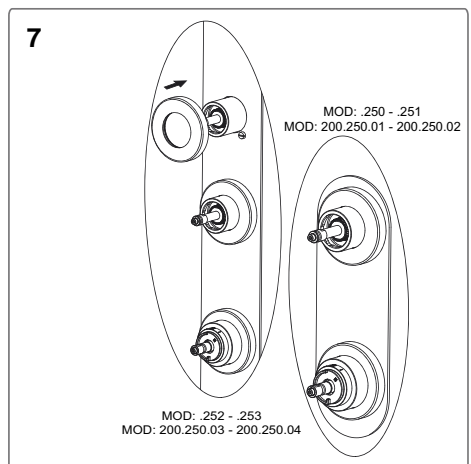
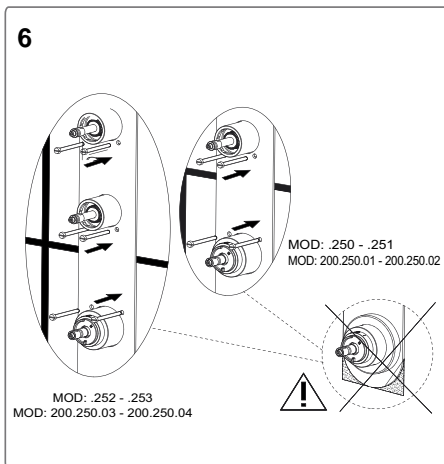
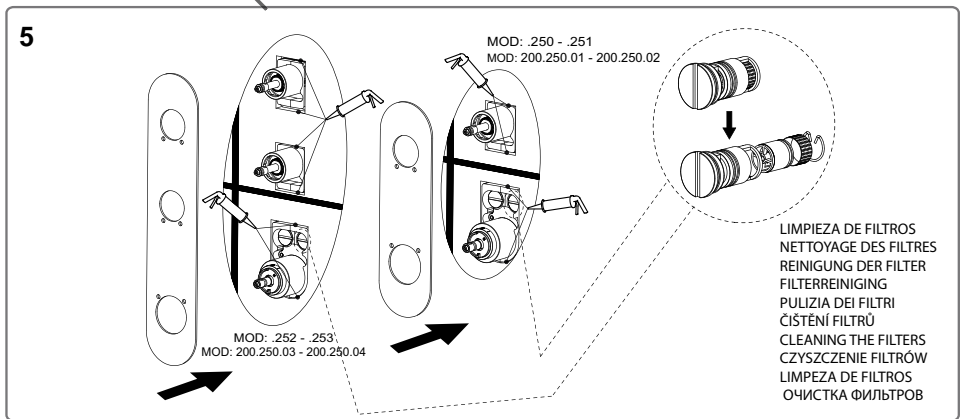
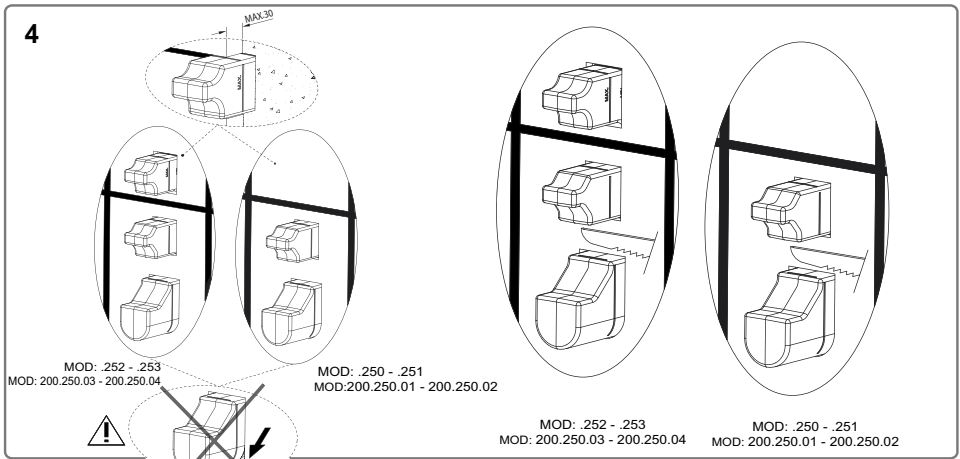


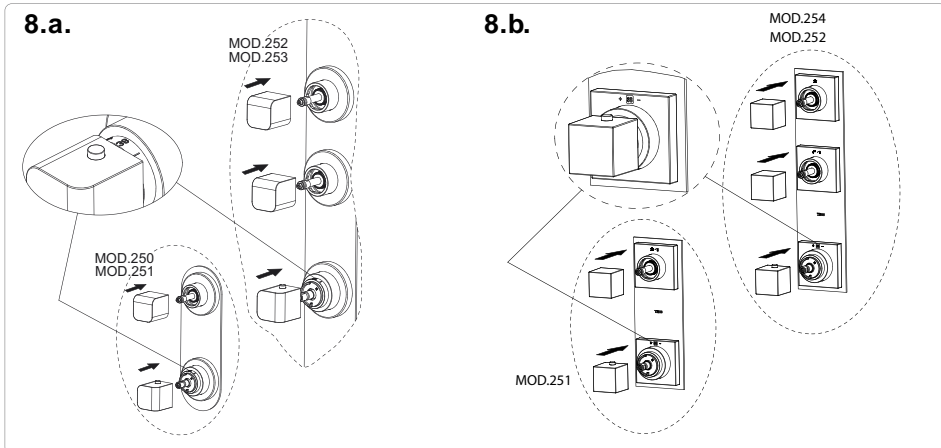
MOD: .252
MOD: 200.250.03



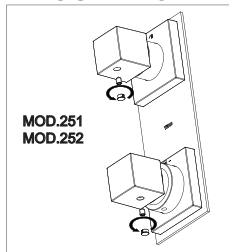
MOD: .253
MOD: 200.250.04



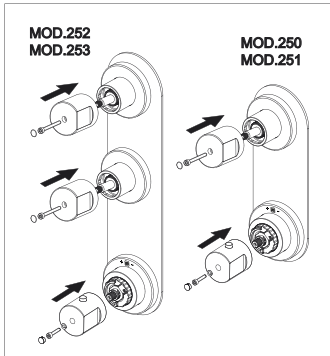




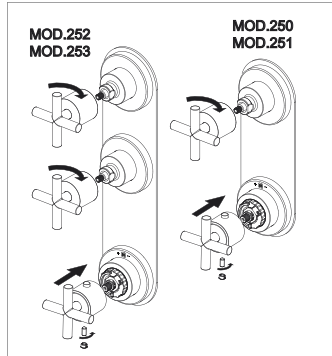
9 CUADRO



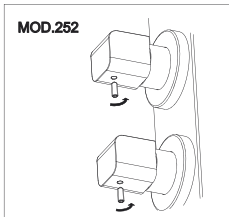
9 MAX



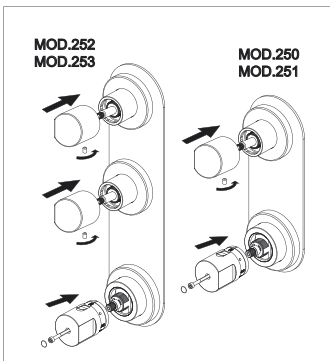
9 BIMAX



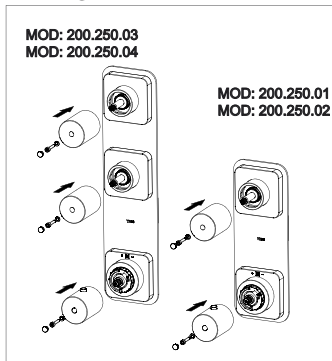
9 CUB



9 MAX-MAD



9 LOFT



9 LEX

