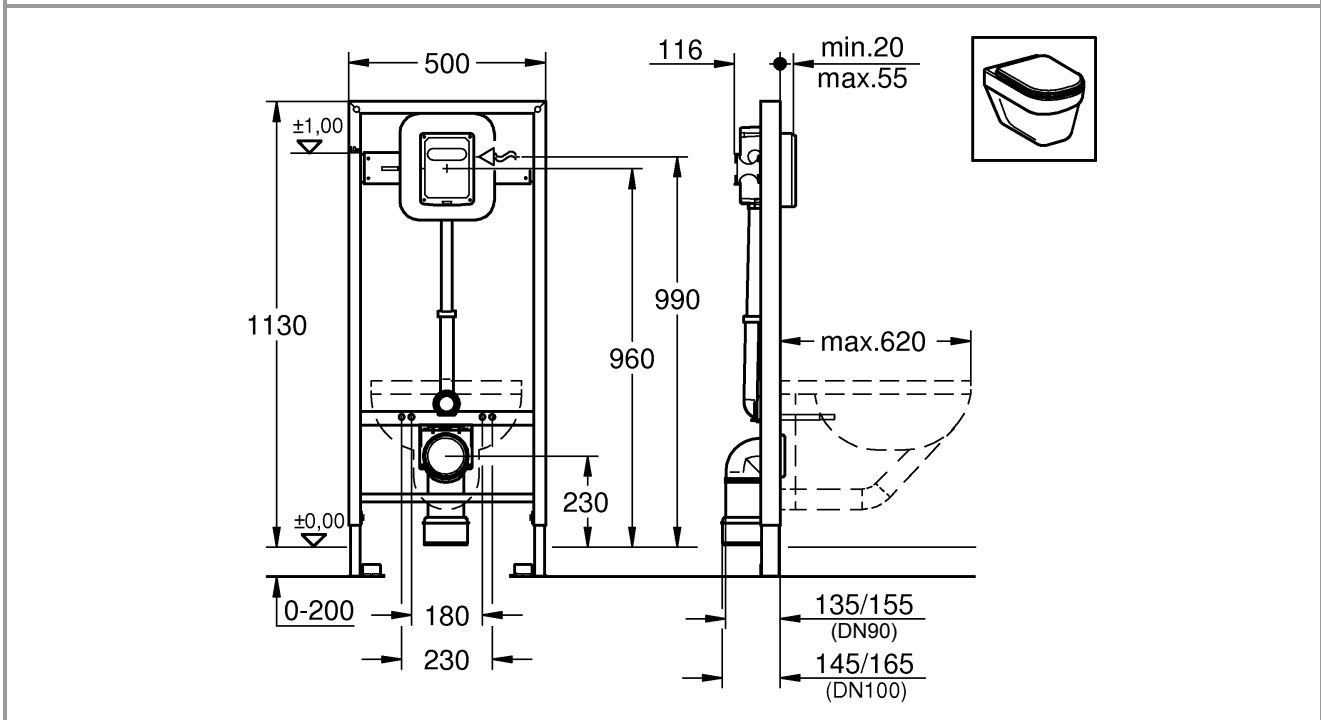
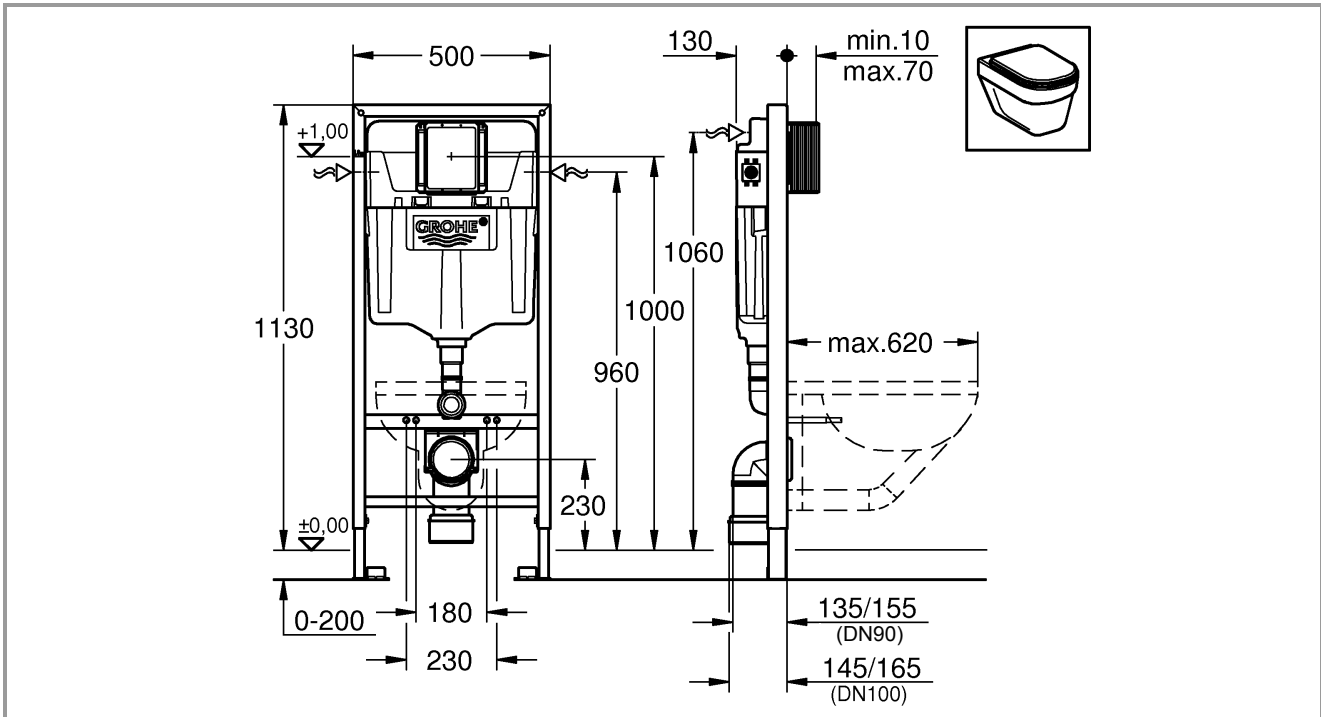


RAPID SL
DESIGN + ENGINEERING
GROHE GERMANY

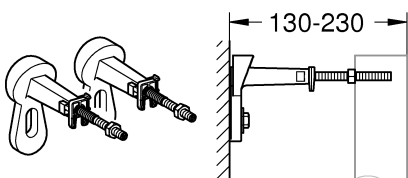
99.514.031/ÄM 229397/07.14

www.grohe.com

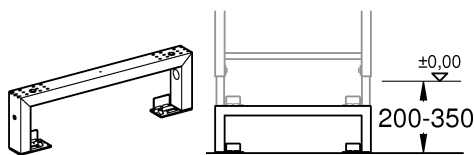
Pure Freude an Wasser



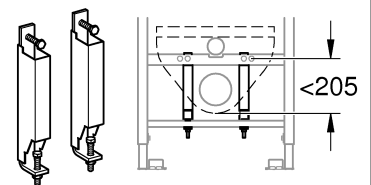
38 558

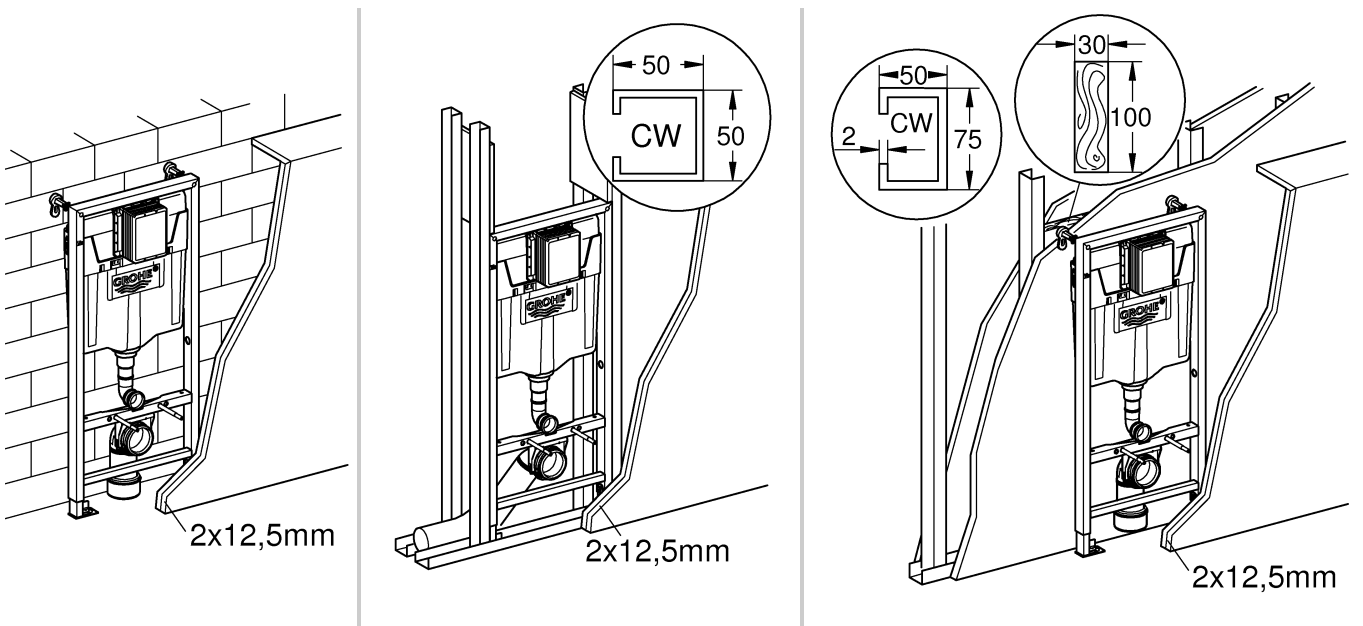
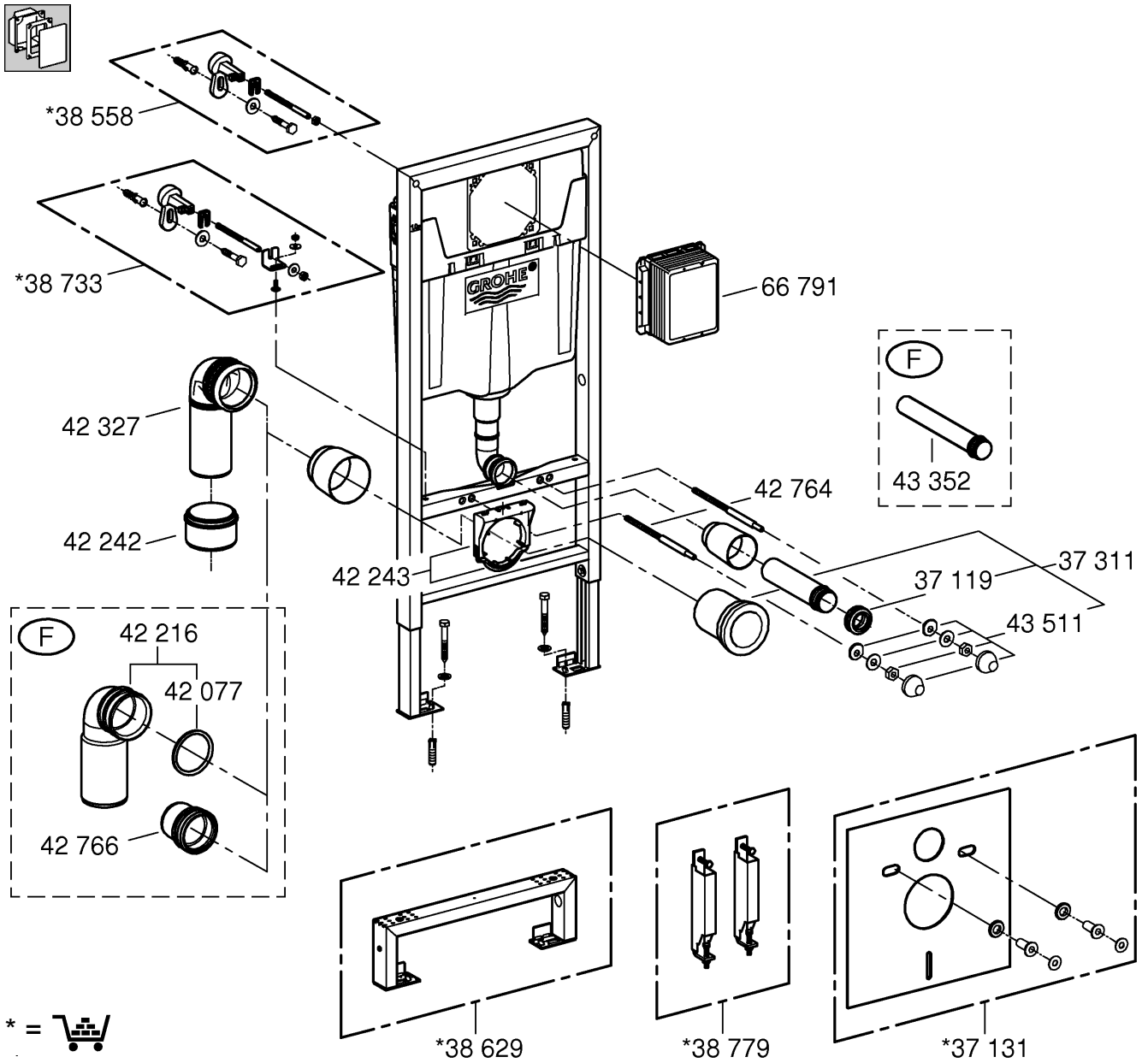


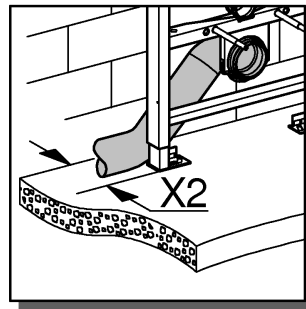
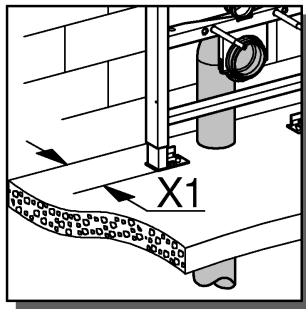
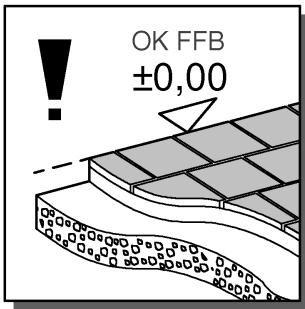
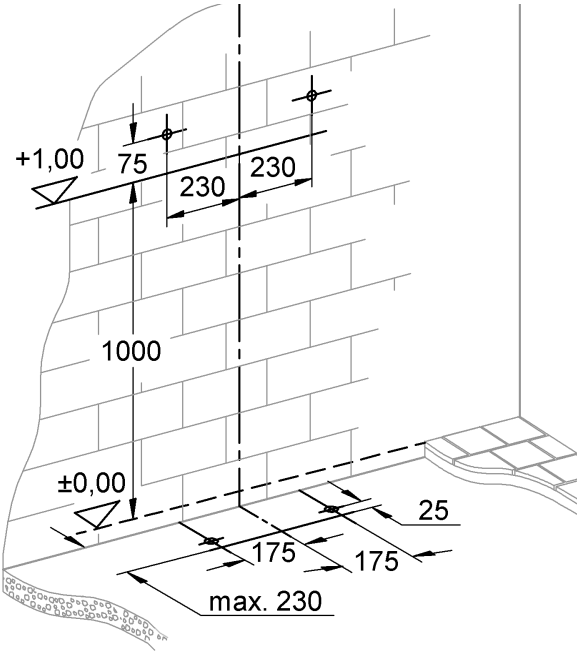
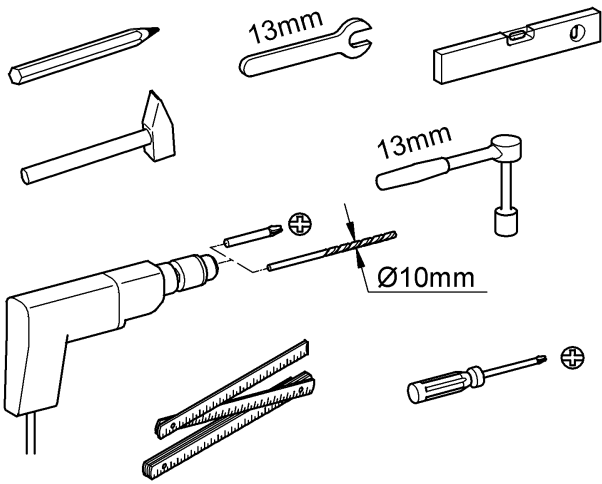
38 629



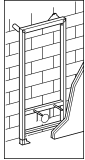
38 779







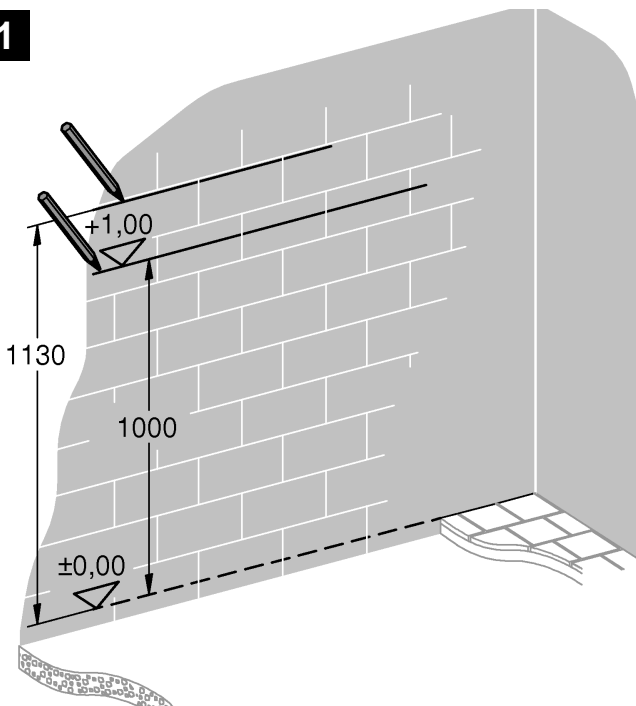
	X1	X2
	max.230	
DN90	min. 135	min. 155
DN100	min. 145	min. 165



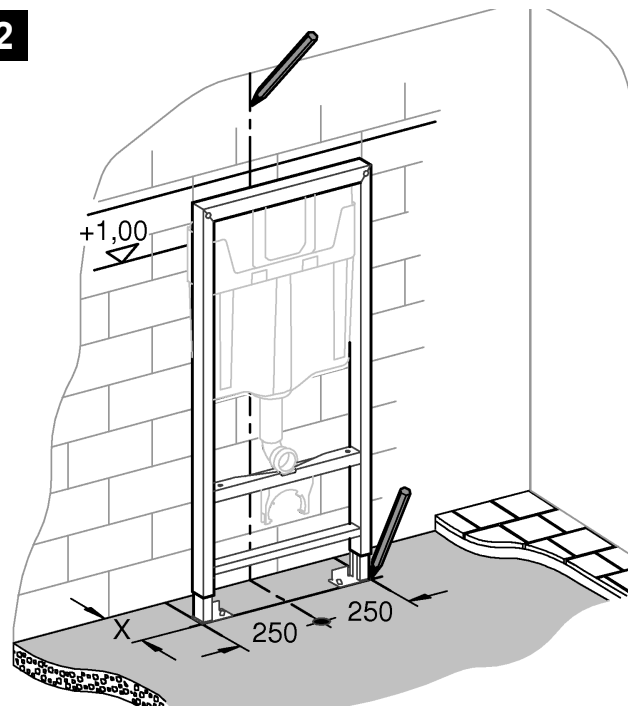
38 558



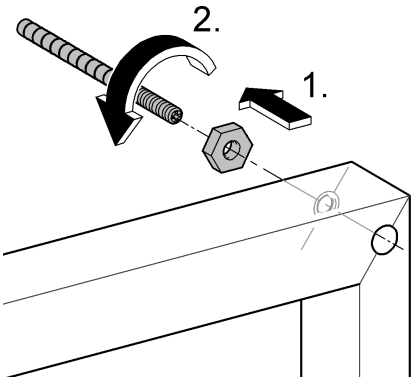
1



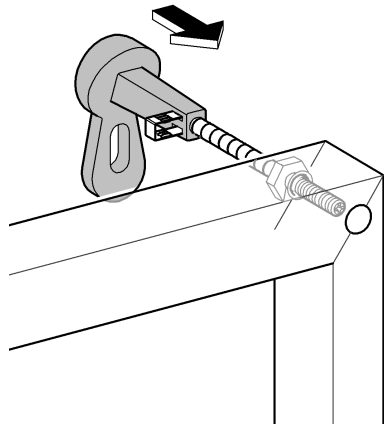
2



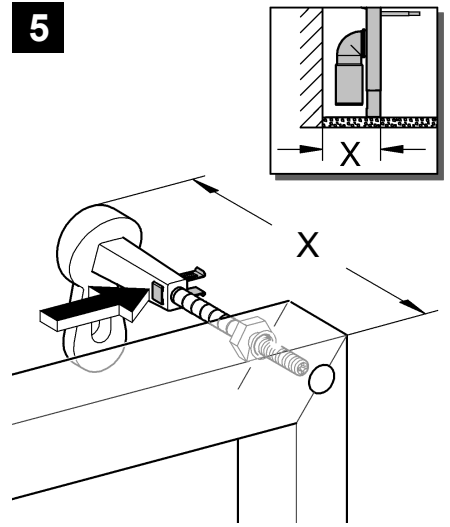
3



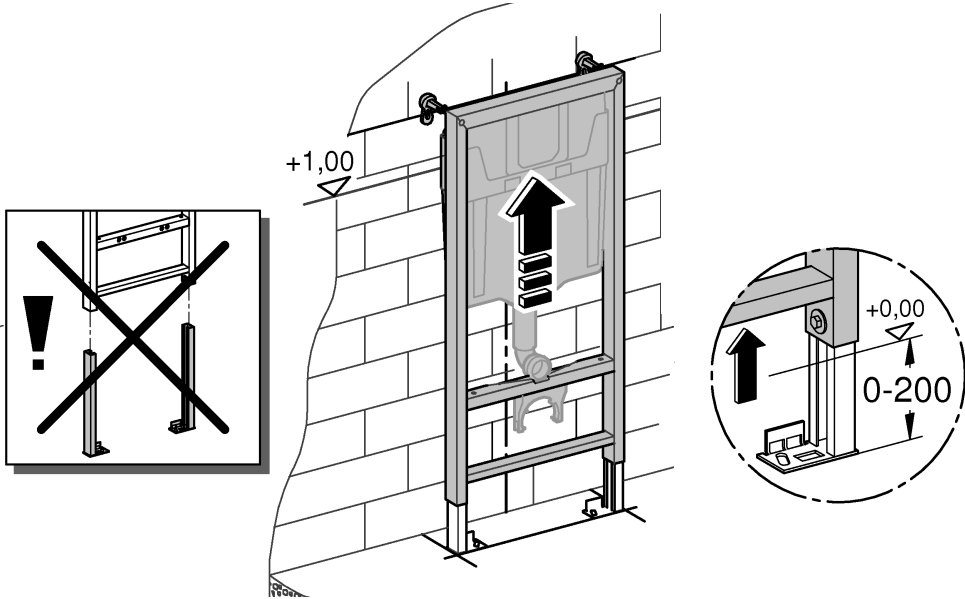
4



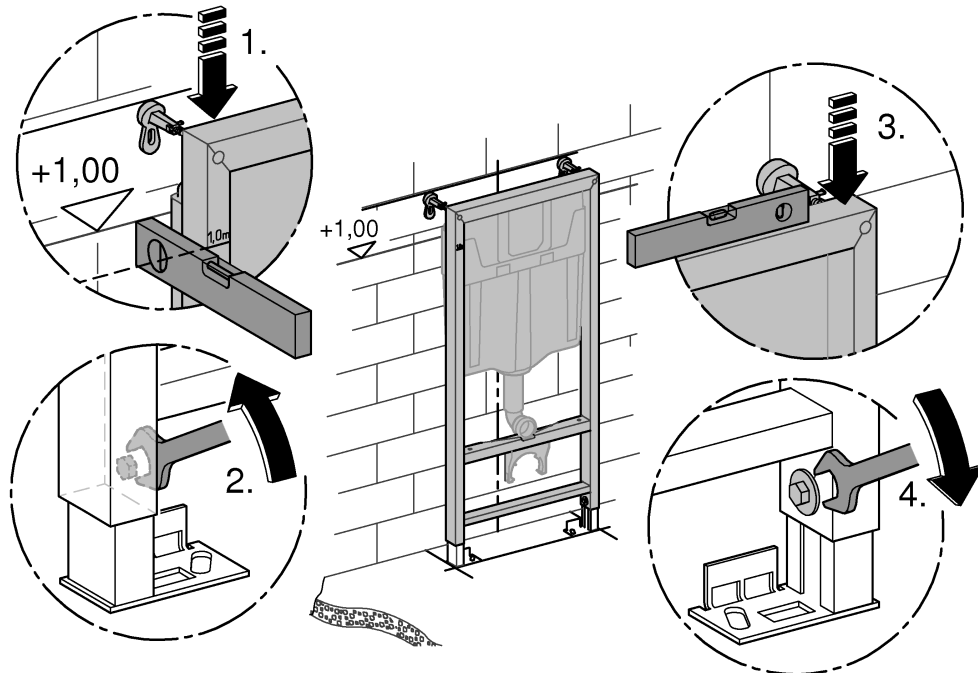
5



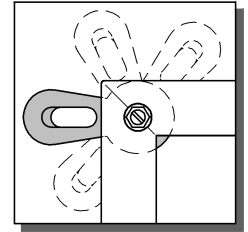
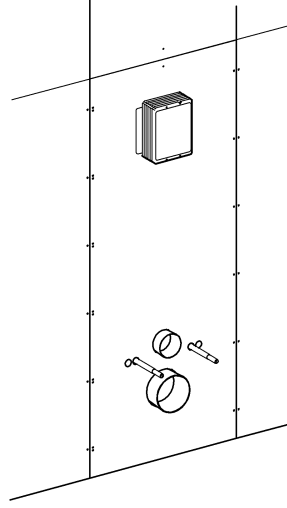
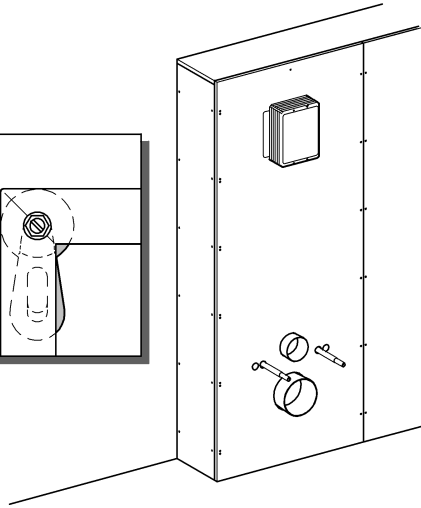
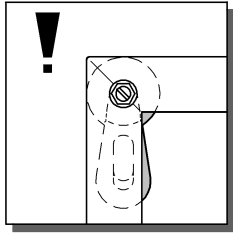
6



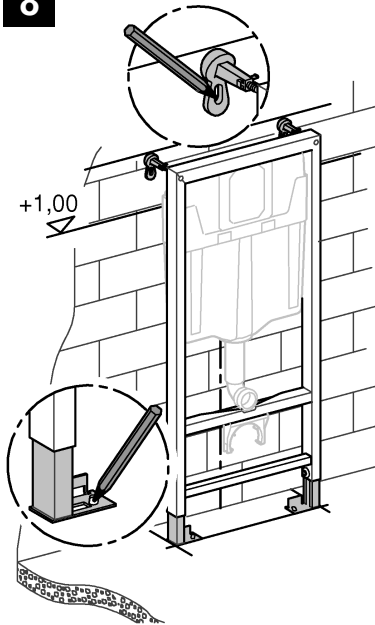
7



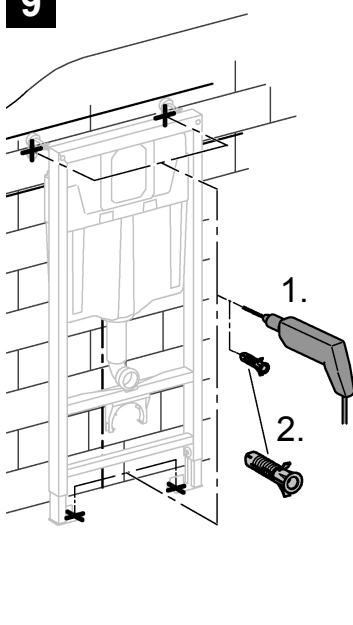
i



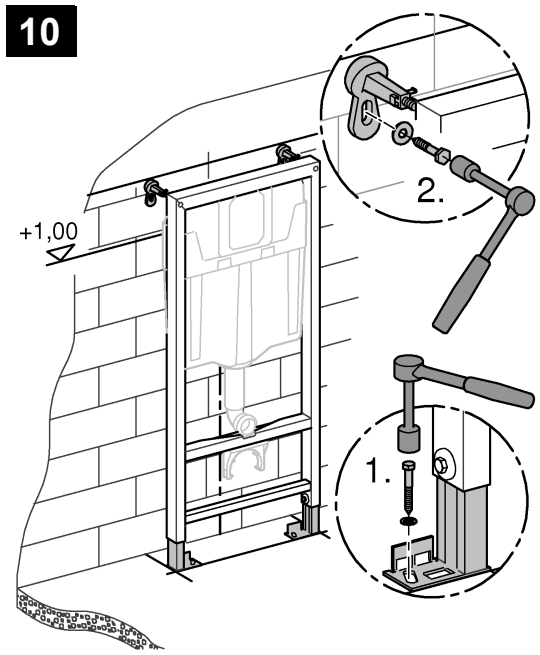
8



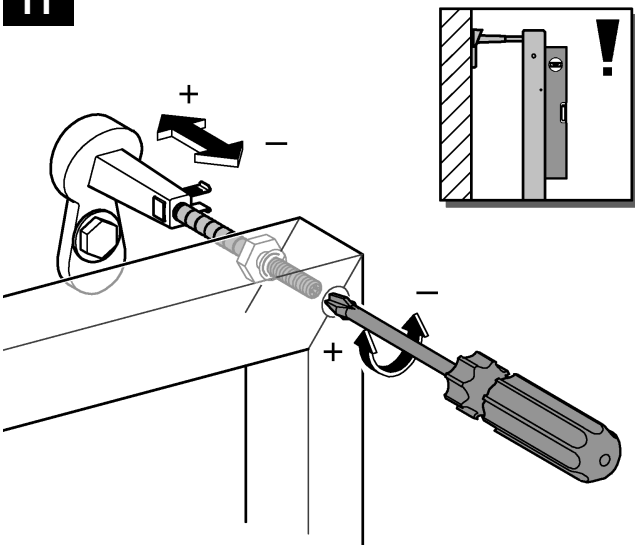
9



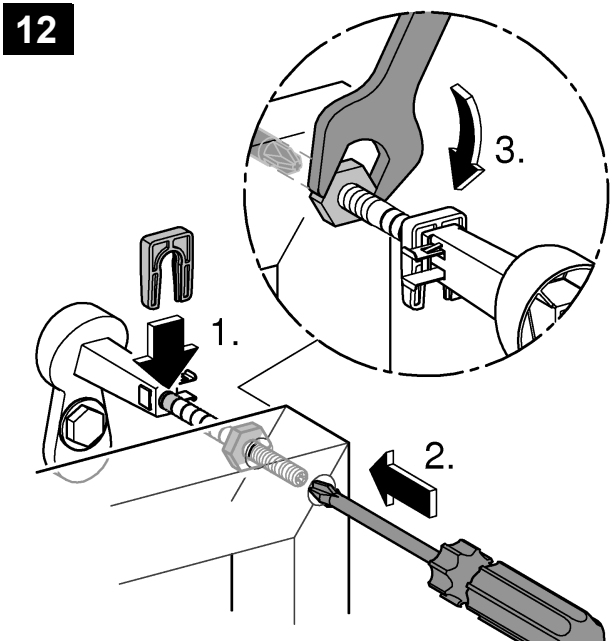
10

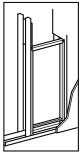


11

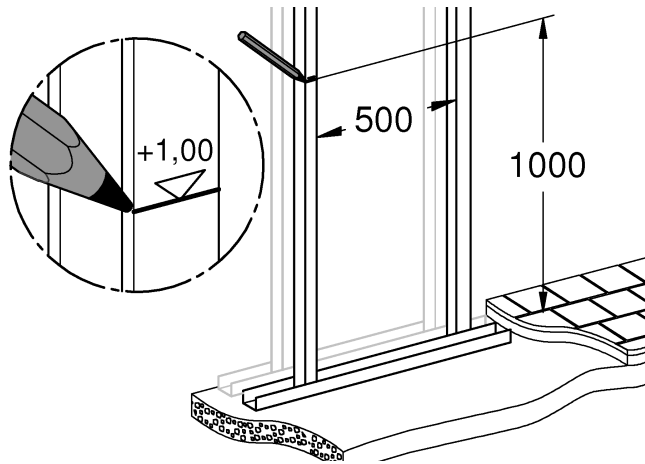


12

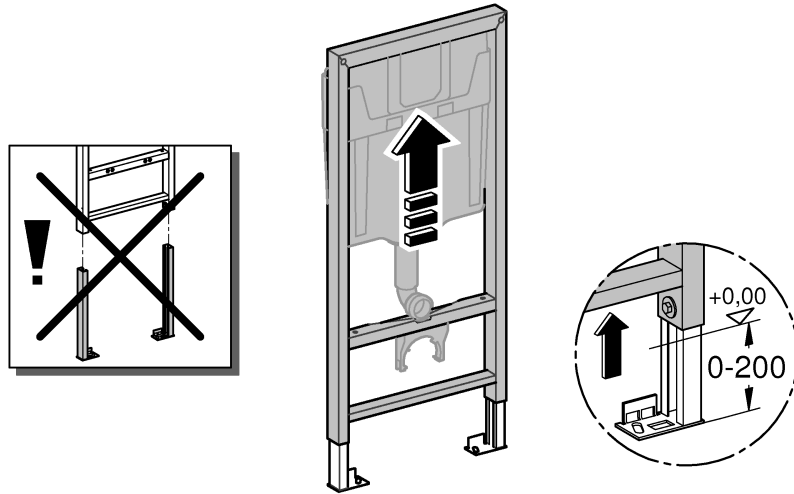




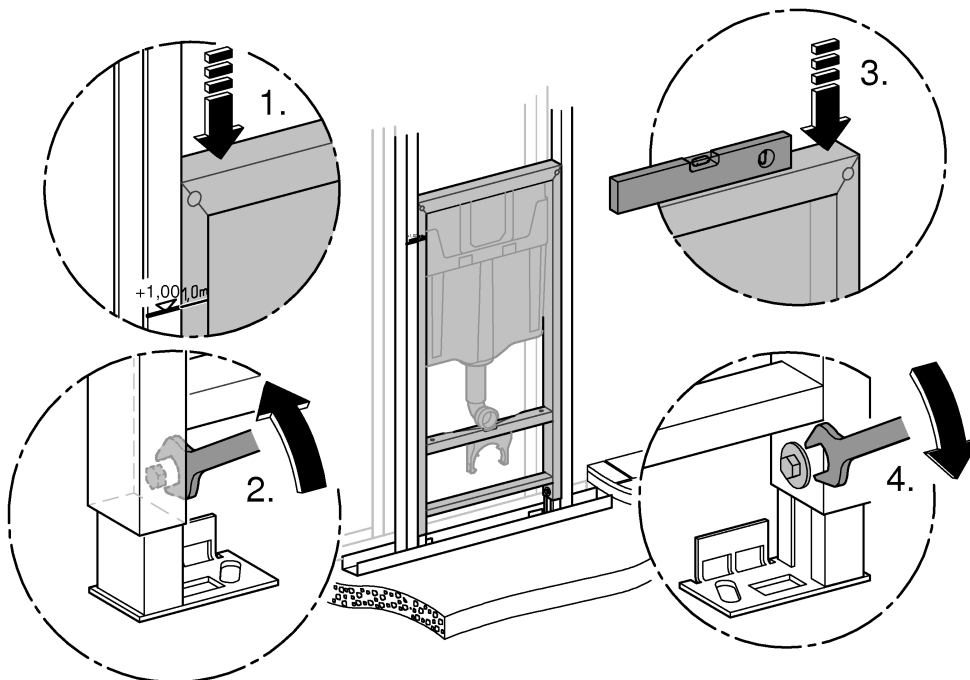
1



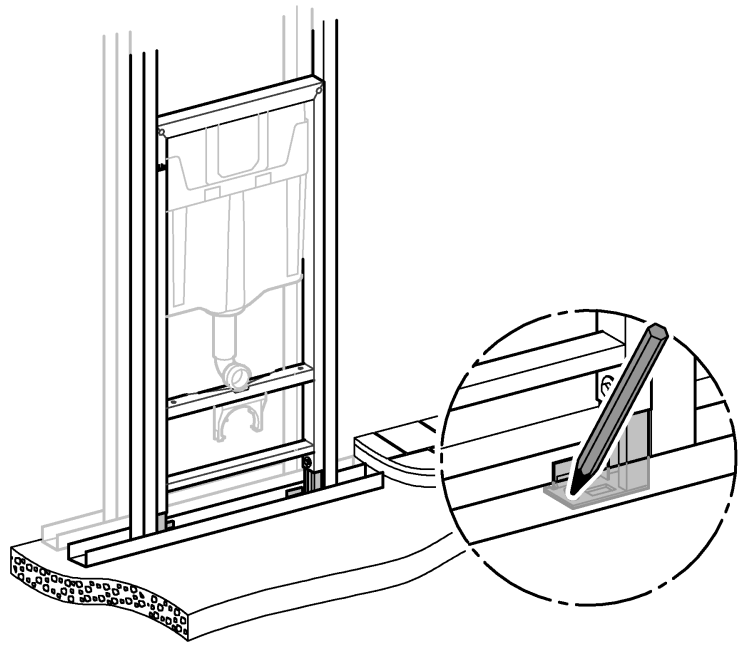
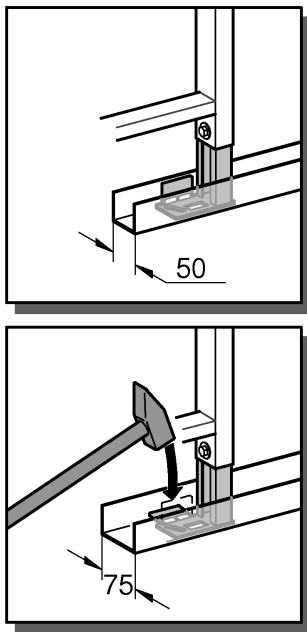
2



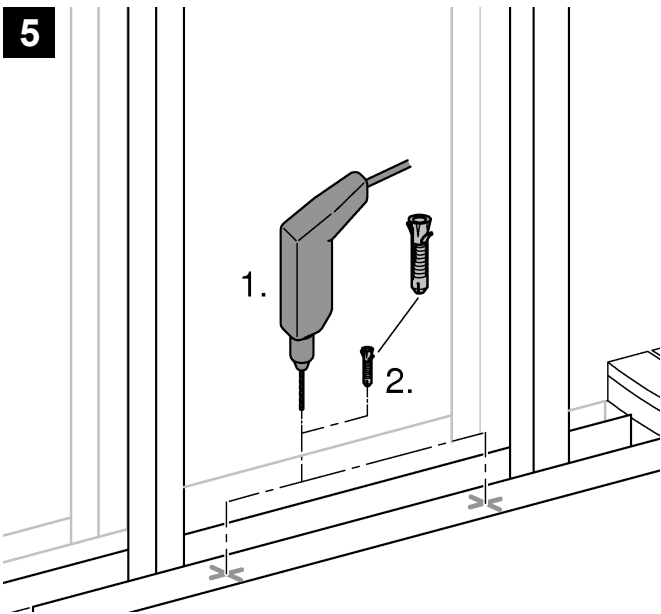
3



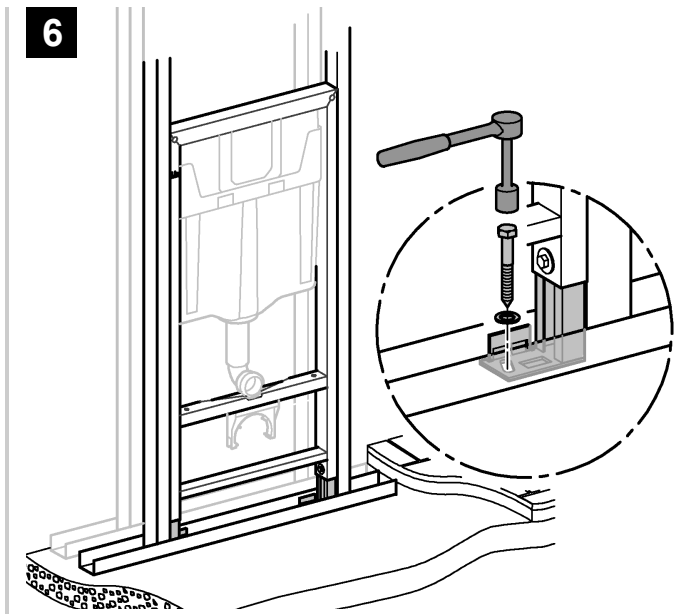
4



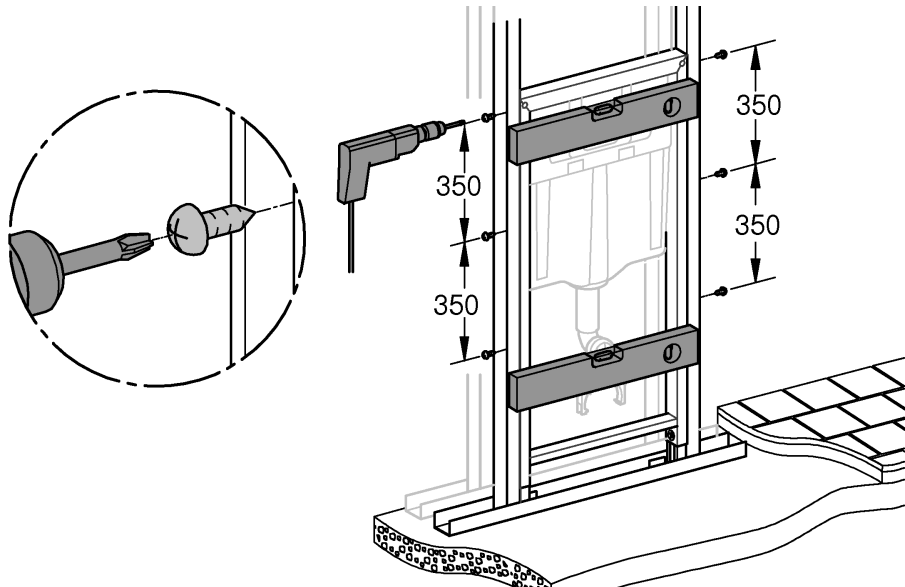
5



6

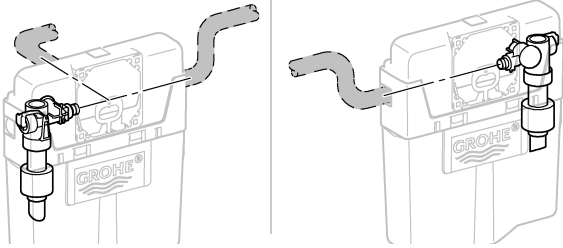


7

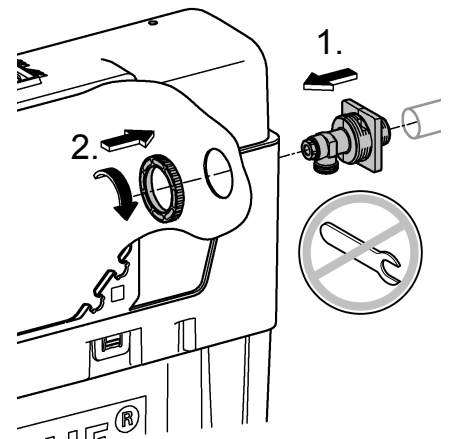
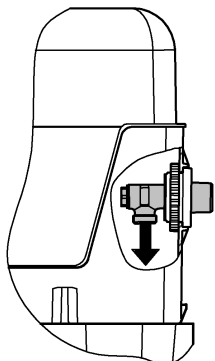
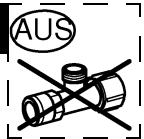




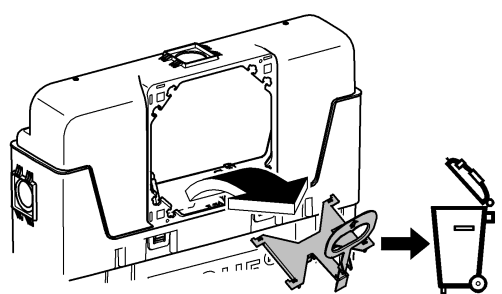
i



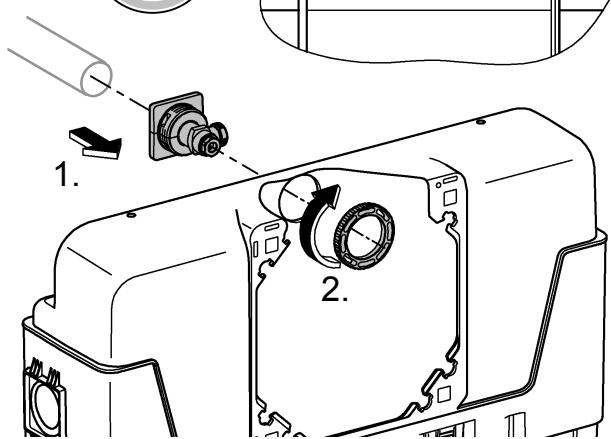
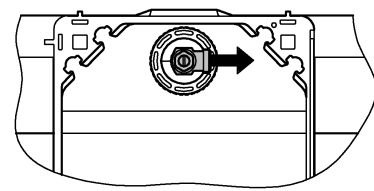
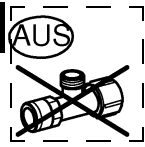
2a



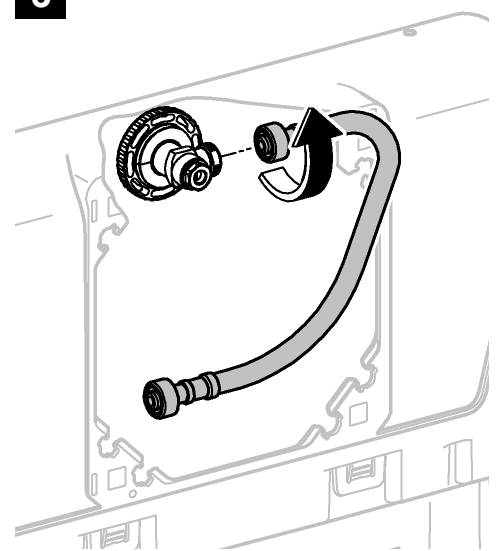
1



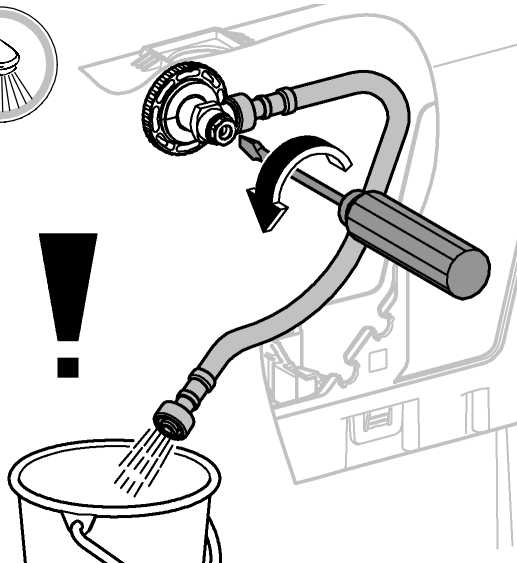
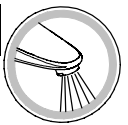
2b



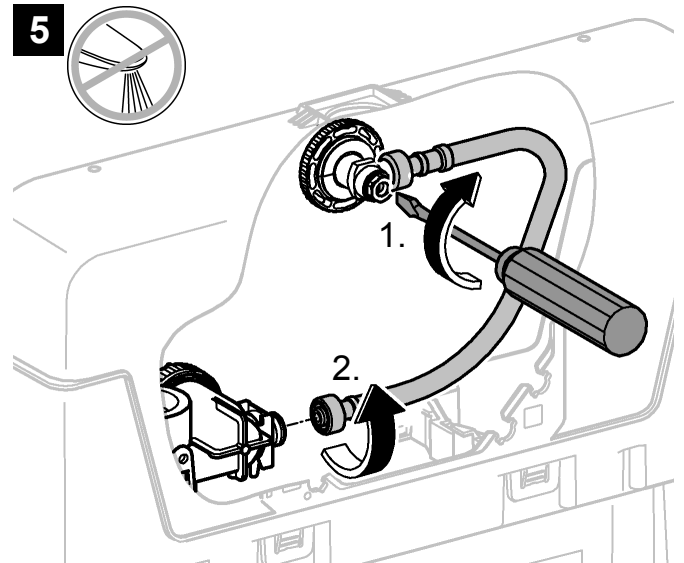
3



4



5





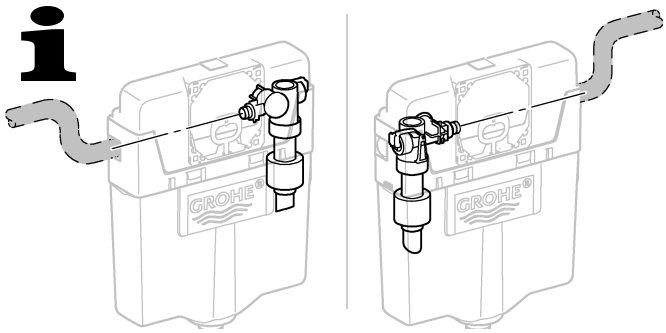
N

DK

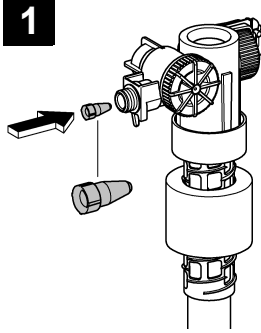
FIN

S

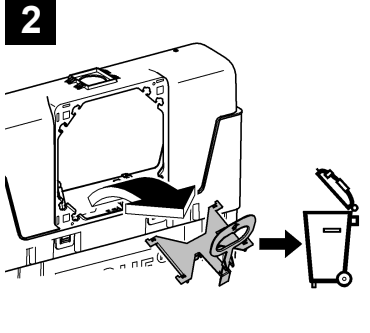
i



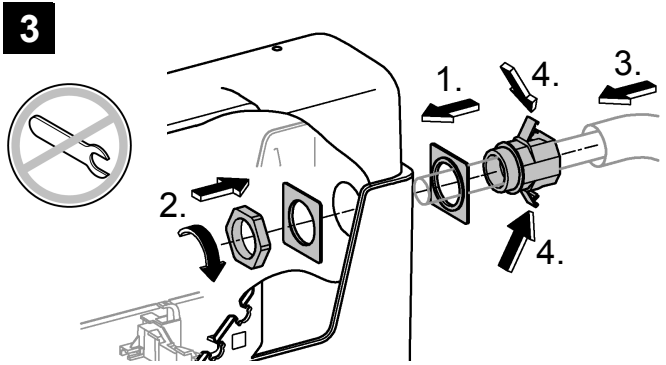
1



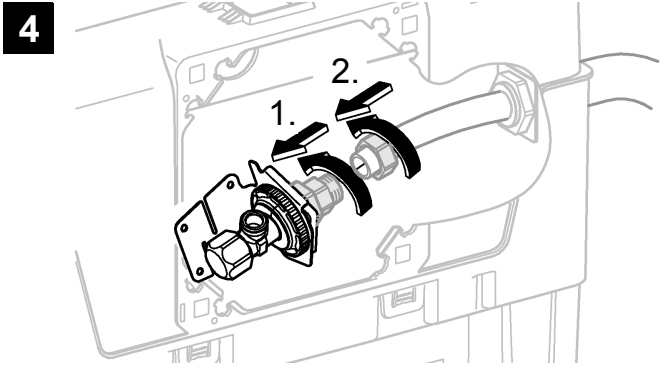
2



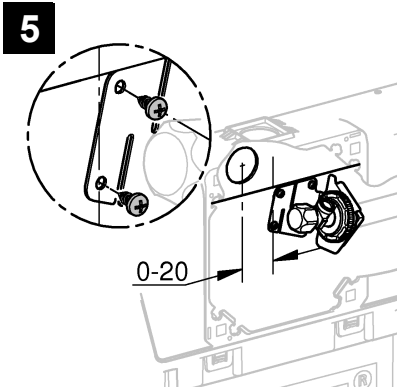
3



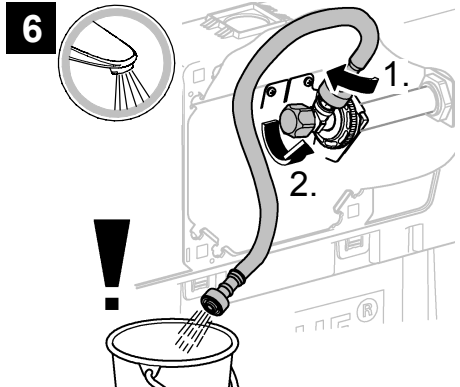
4



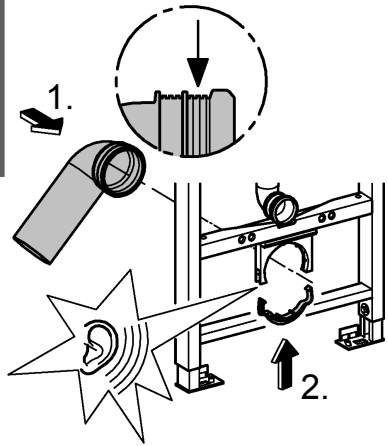
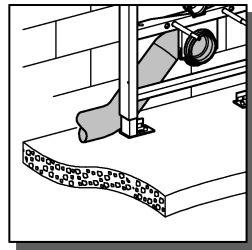
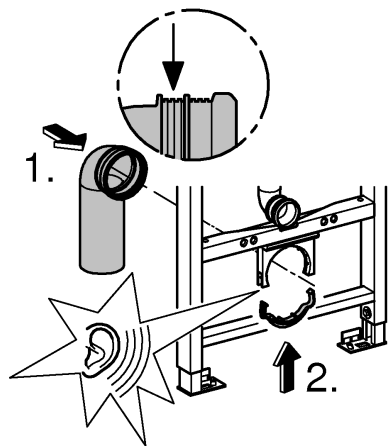
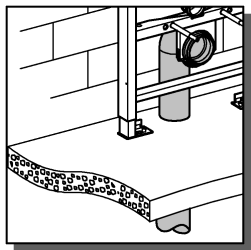
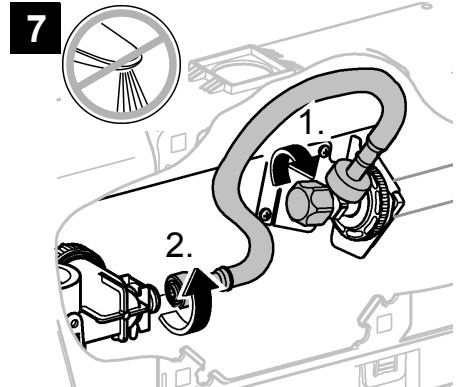
5

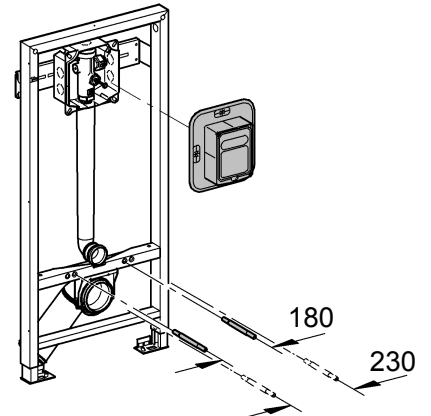
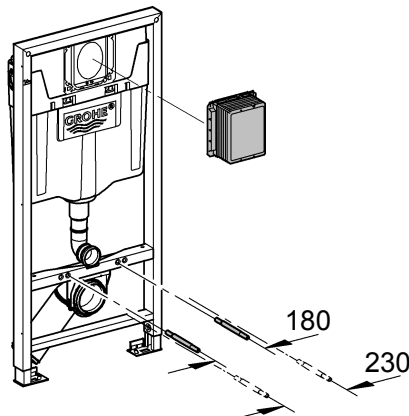
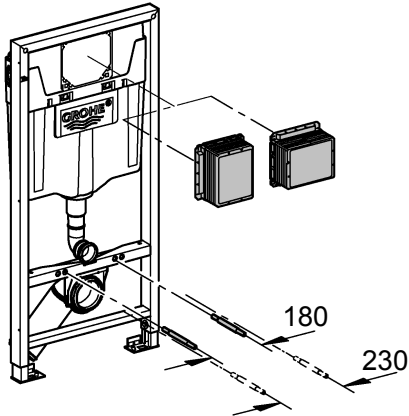
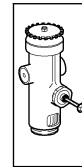
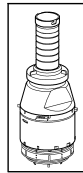
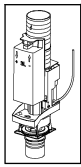


6

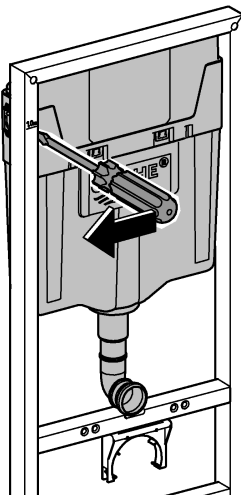


7

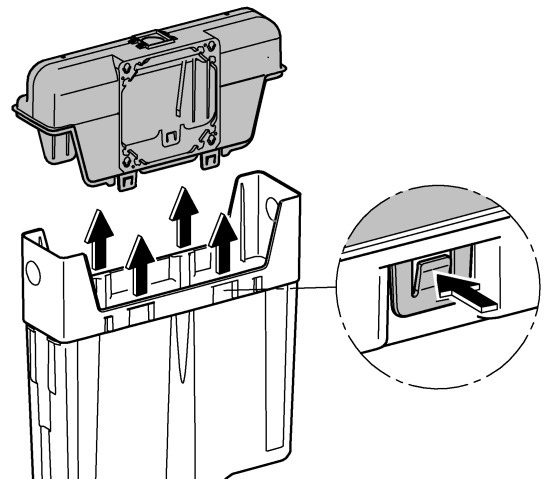




1

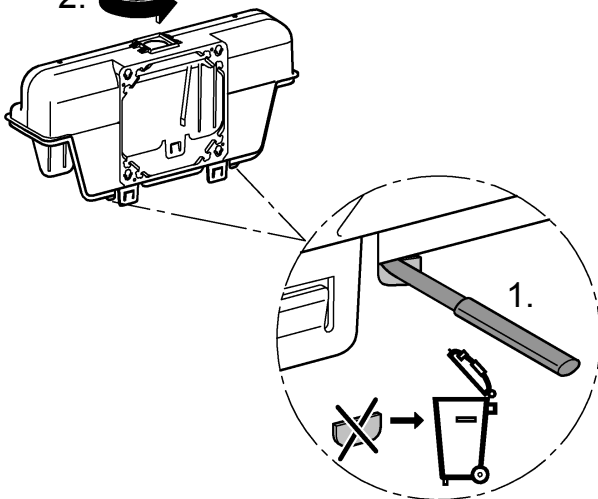


2



3

2. 180°



4

