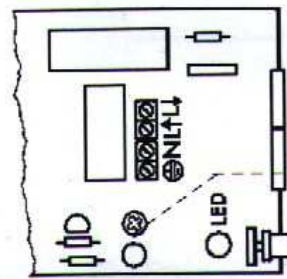
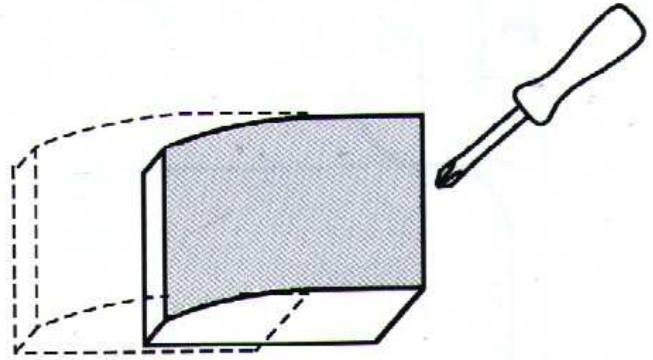


3

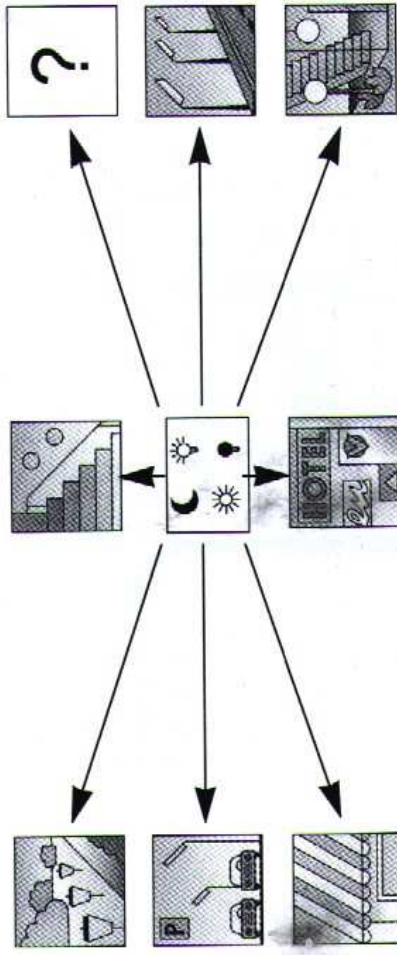


20 120 S

4



WA-Ekf 3899/06.99/S:SAN/D:BAU/99/00341/80.10.0798.7



- L / N 220-240 V~ / 50-60 Hz
- μ - 10(2) A / 250 V~
- ⊗ 1200 W
- ⊗ DUO 1200 W
- ⊗ parallel 300 W
- ☾/☀ 2...2000 lx
- ⚠ IP 54
- 🌡 -35 °C...60 °C
- CE